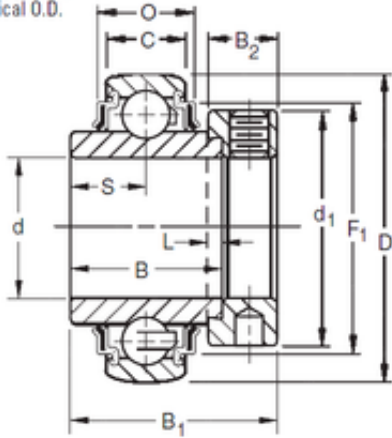




# Bellows Seals INC

KRRB Two Seals  
Spherical O.D.



Bearing 2D drawings and 3D CAD models

## WVS0040FKM V 40X5X11 V Seals

Bearing No.

|                               |                    |
|-------------------------------|--------------------|
| Size                          | 57.15x110x61.91 mm |
| Bore Diameter                 | 57,15 mm           |
| Outer Diameter                | 110 mm             |
| Width                         | 61,91 mm           |
| d                             | 57,15 mm           |
| D                             | 110 mm             |
| B                             | 61,91 mm           |
| C                             | 22 mm              |
| P                             | 26,01 mm           |
| O                             | 30,02 mm           |
| d1                            | 84,1 mm            |
| B1                            | 77,8 mm            |
| B2                            | 22,2 mm            |
| L                             | 6,4 mm             |
| S                             | 31 mm              |
| F1                            | 94,89 mm           |
| Weight                        | 1,715 Kg           |
| Basic dynamic load rating (C) | 58,5 kN            |